

INVERTER SPEC

PRODUCT : CCFL BACKLIGHT INVERTER

MODEL NAME : I N V 4 L - 4 C

WRITTEN	CHECKED	APPROVAL

**Head Office : 6 0 0 S J e f f e r s o n S t . U n i t K
Placentia, CA 92870 USA**

TEL : +1-714-223-7111

FAX : +1-714-223-7711

Vertex LCD Inc.

1. APPLICATION

This Spec. Sheet applies to 10.4" LCD Monitor Inverter apparatus which is produced and sold for DIGITAL DEVICE

2. SUITABLE LOAD

LCD MODULE : 10.4" " L " T y p e 4 LAMP TFT LCD

3. ELECTRICAL CHARACTERISTICS

1)Absolute Maximum Ratings

ITEM	SYMBOL	SPEC	UNIT	REMARKS
INPUT VOLTAGE1	Vin 1	11.0 ~ 13.0	V	
INPUT VOLTAGE2	Vin 2	4.8 ~ 5.2	V	
OPERATING TEMPERATURE	Top	0 ~ 50	C	
STORAGE TEMPERATURE	Tstg	-20 ~ 80	C	
RELATIVE HUMIDITY	RH	90	%	

2)Control Signal

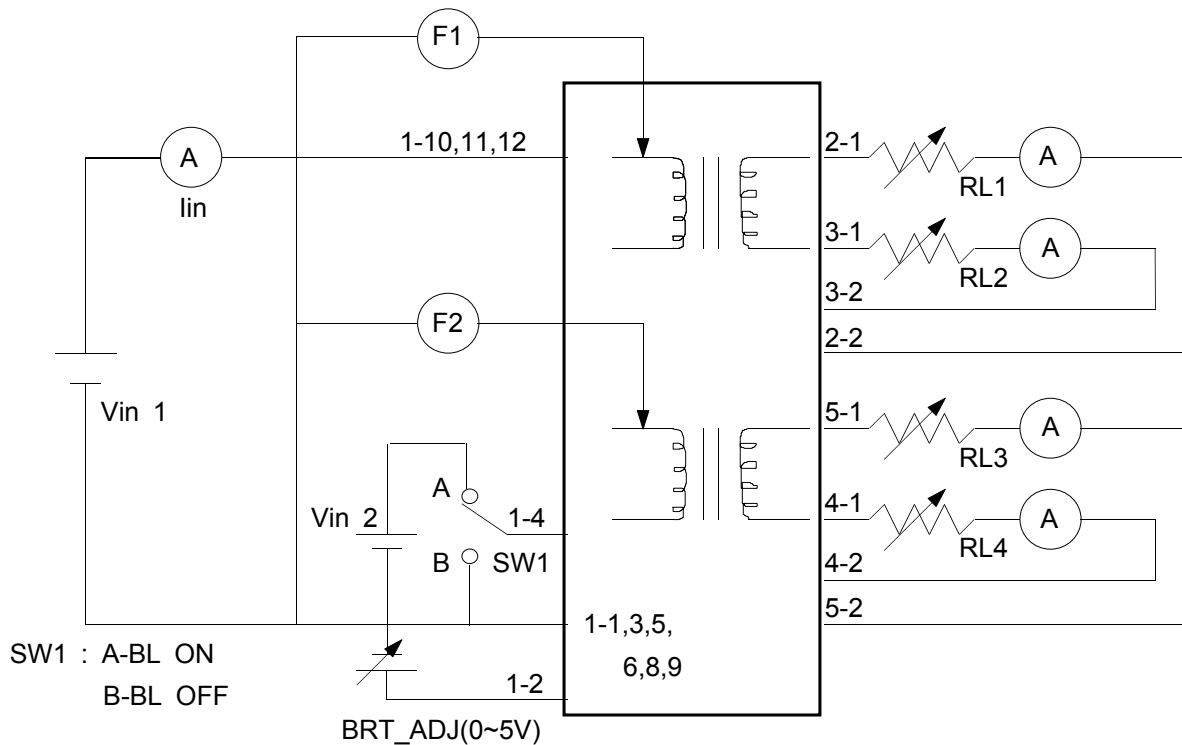
PIN NO	SYMBOL	STATUS	ACTION	REMARKS
CN1 #4	BKLT_ON	HIGH	LAMP(CCFL)-ON	2.0V~5.0V
		LOW	LAMP(CCFL)-OFF	0 ~ 0.3V

MODEL	INV4L-4C
REV.	0
DATE	2003.09.08

3) Output Characteristics

ITEM	SYMBOL	CONDITION			SPECIFICATION			UNIT
		Vin1(V) (DC-IN)	BRT-ADJ	RL (Ref)	MIN	TYP	MAX	
OUTPUT CURRENT	Io2,3 (max)	11~13	0V	90+/-0.5	5.5	6.5	6.5	mArms
	Io2,3 (min)	11~13	5V	90+/-0.5	2.0	3.0	4.0	
	Io4,5 (max)	11~13	0V	90+/-0.5	5.5	6.5	6.5	
	Io4,5 (min)	11~13	5V	90+/-0.5	2.0	3.0	4.0	
INPUT CURRENT	Iin	12	0V	90+/-0.5	1.6	1.9	2.2	ADC
FREQUENCY	F1	12	0V	90+/-0.5	40	50	60	KHz
FREQUENCY	F2	12	0V	90+/-0.5	40	50	60	KHz
DIMMING FREQUENCY	F_D	12	5V	90+/-0.5	400	500	600	Hz

4) Test Circuit



4. INTERFACE

- 1) CN1 CONNECTOR : 12505WR-12A00(YEONHO)
or 53261-1290(MOLEX)

PIN NO	SYMBOL	REMARK
10,11,12	DC-IN(Vin)	DC INPUT POWER(12V)
7	N.C	NO CONNECTION
4	BL ON/OFF	CCFL DRIVE SIGNAL
2	BRT_ADJ	0 ~ 5V
1,3,5,6,8,9	GND	GND

- 2) CN2 CONNECTOR : 35001WR-02P(YEONHO)
or 68176-0217(MOLEX)

PIN NO	SYMBOL	REMARK
1	HOT	HIGH
2	COLD	LOW

- 3) CN3 CONNECTOR : 35001WR-02P(YEONHO)
or 68176-0217(MOLEX)

PIN NO	SYMBOL	REMARK
1	HOT	HIGH
2	COLD	LOW

- 4) CN4 CONNECTOR : 35001WR-02P(YEONHO)
or 68176-0217(MOLEX)

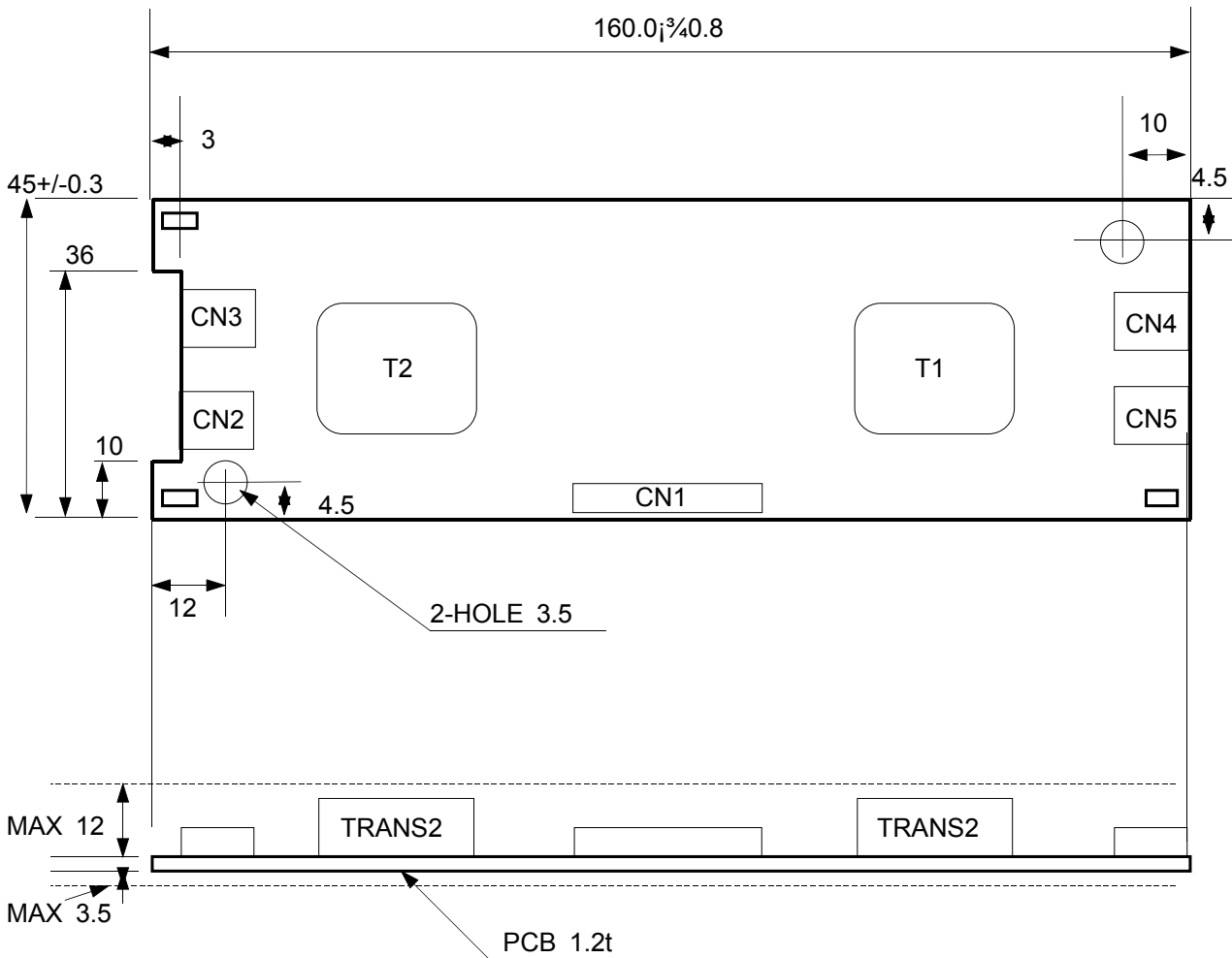
PIN NO	SYMBOL	REMARK
1	HOT	HIGH
2	COLD	LOW

- 5) CN5 CONNECTOR : 35001WR-02P(YEONHO)
or 68176-0217(MOLEX)

PIN NO	SYMBOL	REMARK
1	HOT	HIGH
2	COLD	LOW

MODEL	INV4L-4C
REV.	0
DATE	2003.09.08

5. OUTLINE DIMENSION(UNIT:mm)



TOLERANCE : + / - 0.3m